

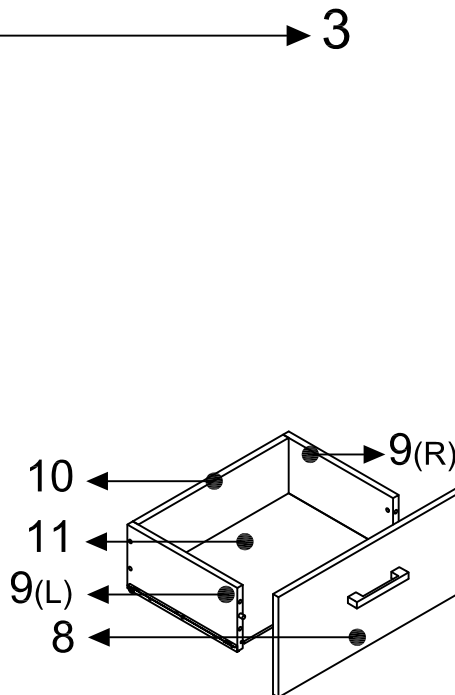
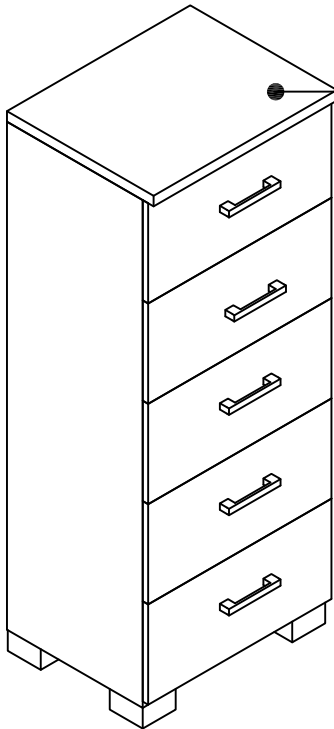
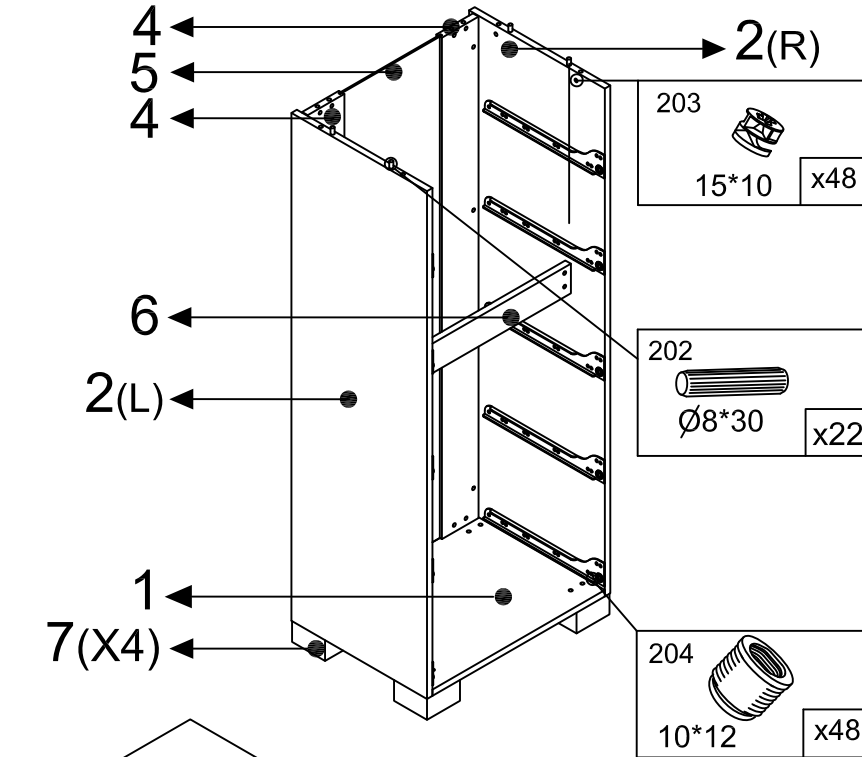
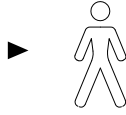
# BORDEAUX ASH Tall Boy Instructions

ASH7165:2,4,5  
 ASH7265:1,3,6,7,8,9,10,  
 11,12

CH140ASH: AUS

IMPORTANT. RETAIN FOR FUTURE REFERENCE.  
 READ CAREFULLY

60 MIN



lovenhcare

www.lovenhcare.com.au

12

- |                     |                      |
|---------------------|----------------------|
| 11<br>4*40<br>X20   | 13<br>6*48<br>X8     |
| 16B<br>M4*25<br>X10 | 1<br>Ø15 32mm<br>X48 |
| 50<br>3*20<br>X4    | 4<br>X1              |
| 37<br>X1            | 7<br>3.5*16<br>X1    |
| 15A<br>X5           |                      |

